

LIQUID CRYSTAL DISPLAY MODULE

Product Specification

CUSTOMER	Standard
CUSTOMER PART NUMBER	
PRODUCT NUMBER	DMT035QW NXNT0-1A

Product Mgr	Design Eng
Luo Luo	Eric Wan
Date: 09-Jan-17	Date: 09-Jan-17

TABLE OF CONTENTS

1	MAIN FEATURES	4
2	MECHANICAL SPECIFICATION	5
2.1	MECHANICAL CHARACTERISTICS.....	5
2.2	MECHANICAL DRAWING.....	6
3	ELECTRICAL SPECIFICATION	7
3.1	ABSOLUTE MAXIMUM RATINGS.....	7
3.2	DC ELECTRICAL CHARACTERISTICS	7
3.3	INTERFACE PIN ASSIGNMENT	8
3.4	TIMING CHARACTERISTICS	10
4	OPTICAL SPECIFICATION	17
4.1	OPTICAL CHARACTERISTICS	17
5	BACKLIGHT SPECIFICATION	19
5.1	LED DRIVING CONDITIONS	19
5.2	LED CIRCUIT	19
6	QUALITY ASSURANCE SPECIFICATION	20
6.1	DELIVERY INSPECTION STANDARDS	20
6.2	DEALING WITH CUSTOMER COMPLAINTS.....	26
7	RELIABILITY SPECIFICATION	27
7.1	RELIABILITY TESTS.....	27
8	HANDLING PRECAUTIONS	28

REVISION RECORD

Rev.	Date	Page	Chapt.	Comment	ECN no.
1.0	09-Jan-17			Initial Release	ECN8016

1 MAIN FEATURES

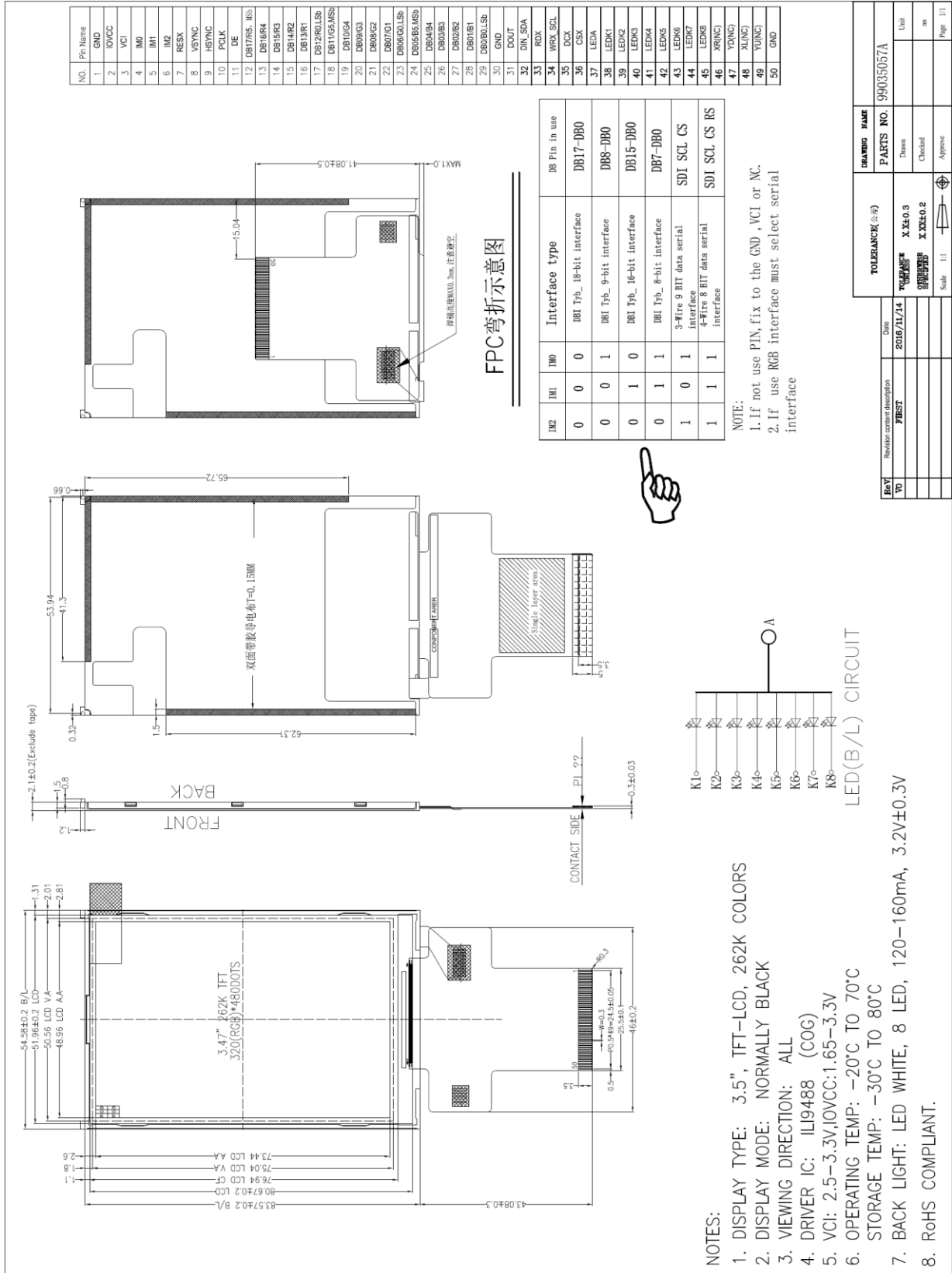
ITEM	CONTENTS
Screen Size	3.5" Diagonal
Display Format	320 x RGB x 480 Dots
N° of Colour	262K
Active Area	48.96 mm (H) x 73.44 mm (V)
LCD Type	TFT
Mode	IPS Transmissive / Normally Black
Viewing Direction	Full view
Interface	8/9/16/18-bit DBI Type B (CPU) interface 3/4-lines SPI +16/18-bit RGB interface; 3/4-lines SPI
Driver IC	ILI9488 or equivalent
Backlight Type	LED
Operating Temperature	-20°C ~ +70°C
Storage Temperature	-30°C ~ +80°C
RoHS compliant	Yes

2 MECHANICAL SPECIFICATION

2.1 MECHANICAL CHARACTERISTICS

ITEM	CHARACTERISTIC	UNIT
Display Format	320 x RGB x 480 Dots	Dots
Overall Dimensions	54.58 mm (H) x 83.57 mm (V) x 2.1 mm (D)	mm
Active Area	48.96 mm (H) x 73.44 mm (V)	mm
pixel Pitch	153 (H) x 153 (V)	μm
Weight	20	g

2.2 MECHANICAL DRAWING



3 ELECTRICAL SPECIFICATION

3.1 ABSOLUTE MAXIMUM RATINGS

Item	Symbol	Condition	Min	Max	Unit	Note
Power Supply Voltage	VCI	Ta=25°C	-0.3	4.6	V	
Digital Interface Supply Voltage	IOVCC	Ta=25°C	-0.3	4.6	V	
Operating Temperature	TOP		-20	70	°C	1
Storage Temperature	TST		-30	80	°C	1,2,3

Note 1. 90 % RH Max for Ta<50 °C, and 60% RH for Ta≥50°C.

Note 2. In case of below 0°C, the response time of liquid crystal (LC) becomes slower and the colour of panel becomes darker than normal one. Level of retardation depends on temperature, because of LC's characteristic.

Note 3. Only operation is guaranteed at operating temperature. Contrast, response time, another display quality are evaluated at +25°C.

3.2 DC ELECTRICAL CHARACTERISTICS

Item	Symbol	Condition	Min	Typ	Max	Unit	Note
Supply Voltage	VCI		2.8	3.3	3.6	V	
Digital Interface Supply Voltage	IOVCC		1.8	-	3.3	V	
Input Voltage for Logic	VIH		0.7 IOVCC	-	IOVCC	V	
	VIL		GND	-	0.3 IOVCC	V	
Output Voltage for Logic	VOH		0.8 IOVCC	-	IOVCC	V	
	VOL		GND	-	0.2 IOVCC	V	
Current Consumption	IDD		-	8		mA	1

Note 1: The specified power consumption is under the conditions of VCI=3.3V, FV=60Hz.

3.3 INTERFACE PIN ASSIGNMENT

3.3.1 LCM PIN ASSIGNMENT

Recommended connector: MOLEX 51296-5093

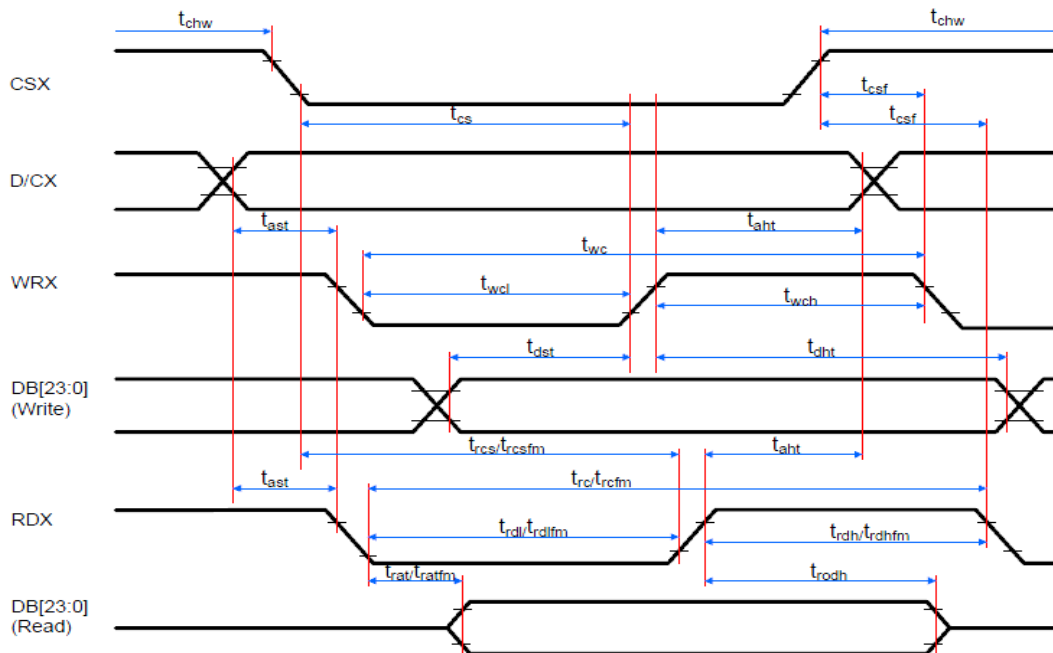
NO.	SYMBOL	Description
1	GND	Ground.
2	IOVCC	Supply voltage for IO (IOVCC=1.8V-3.3V).
3	VCI	Supply voltage (VCI=3.3V).
4	IM0	Interface selecting mode signal.
5	IM1	
6	IM2	
7	RESET	Reset pin. Setting either pin low initializes the LSI. Must be reset after power is supplied.
8	VSYNC	Frame synchronizing signal for DPI I/F mode. If not used, please connect to GND.
9	HSYNC	Frame synchronizing signal for DPI I/F mode. If not used, please connect to GND.
10	PCLK	Pixel clock signal for DPI I/F mode. If not used, please connect to VCI.
11	DE	A DATA ENABLE signal for DPI I/F mode. If not used, please connect to GND.
12-29	DB17-DB0	Data bus PINS. 18-bit bi-directional data bus. 8-bit bus: use DB7-DB0 9-bit bus: use DB8-DB0 16-bit bus: use DB15-DB0 18-bit bus: use DB17-DB0 When Operation in MIPI DPI interface mode, it is an 18-bit bus RGB data bus. 6-bit bus: use DB5-DB0 16-bit bus: use DB15-DB0 18-bit bus: use DB17-DB0 Pins not used must be connected to GND.
30	GND	Ground.
31	DOUT	Serial data output pin in serial bus system interface. If not used, please open this pin.
32	DINI_SDA	Serial data input pin or input/output pin in serial bus system interface. The data is inputted on the rising edge of the SCL signal. If not used, please connect to GND.
33	RDX	DBI Type-B: Serves as a read signal and read data at the low level. If not used, please connect to VCI.

No	SYMBOL	Description
34	WRX_SCL	DBI Type-B: Serves as a write signal and write data at the low level. DBI Type-C: it servers as SCL (Serial Clock). If not use, please connect to GND.
35	DCX	Data / Command Selection pin. If not use, please connect to GND.
36	CSX	Chip select signal. Low: chip can be accessed; High: chip cannot be accessed. If not used, please connect to GND.
37	LEDA	Power supply for Backlight.
38-45	LEDK1-LEDK8	Power supply for Backlight.
46	XR(NC)	NC.
47	YD(NC)	NC.
48	XL(NC)	NC.
49	YU(NC)	NC.
50	GND	Ground.

3.4 TIMING CHARACTERISTICS

Please refer to Ilitech IC ILI9488 datasheet for more information

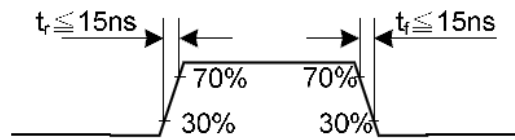
3.4.1 Display Parallel 8/16-bit Interface Timing Characteristics (8080 system)



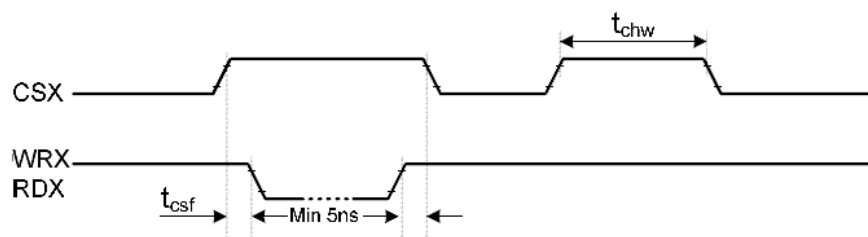
Signal	Symbol	Parameter	min	max	Unit	Description
DCX	tast	Address setup time	0	-	ns	-
	that	Address hold time (Write/Read)	0	-	ns	-
CSX	tchw	CSX "H" pulse width	0	-	ns	-
	tcs	Chip Select setup time (Write)	15	-	ns	-
	trcs	Chip Select setup time (Read ID)	45	-	ns	-
	trcsfm	Chip Select setup time (Read FM)	355	-	ns	-
	tcsf	Chip Select Wait time (Write/Read)	0	-	ns	-
WRX	twc	Write cycle	40	-	ns	-
	twrh	Write Control pulse H duration	15	-	ns	-
	twrl	Write Control pulse L duration	15	-	ns	-
RDX (FM)	trcfm	Read Cycle (FM)	450	-	ns	When read from Frame Memory
	trdhfm	Read Control H duration (FM)	90	-	ns	
	trdlfm	Read Control L duration (FM)	355	-	ns	
RDX (ID)	trc	Read cycle (ID)	160	-	ns	When read ID data
	trdh	Read Control pulse H duration	90	-	ns	
	trdl	Read Control pulse L duration	45	-	ns	
DB [23:0], DB [17:0], DB [15:0], DB [8:0], DB [7:0]	tdst	Write data setup time	10	-	ns	For maximum, CL=30pF For minimum, CL=8pF
	tdht	Write data hold time	10	-	ns	
	trat	Read access time	-	40	ns	
	tratfm	Read access time	-	340	ns	
	trod	Read output disable time	20	80	ns	

Notes:

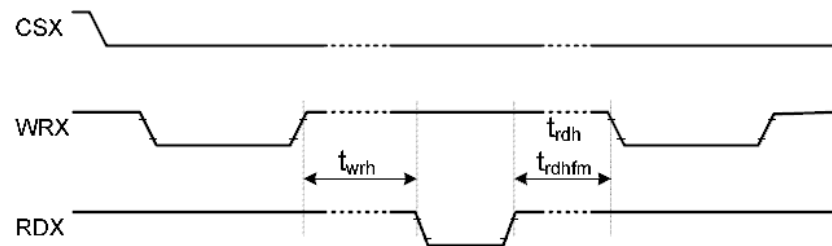
1. $T_a = -30$ to 70 °C, $IOVCC = 1.65V$ to $3.3V$, $VCI = 2.5V$ to $3.3V$, $AGND = DGND = 0V$
2. Logic high and low levels are specified as 30% and 70% of $IOVCC$ for input signals.
3. Input signal rising time and falling time:



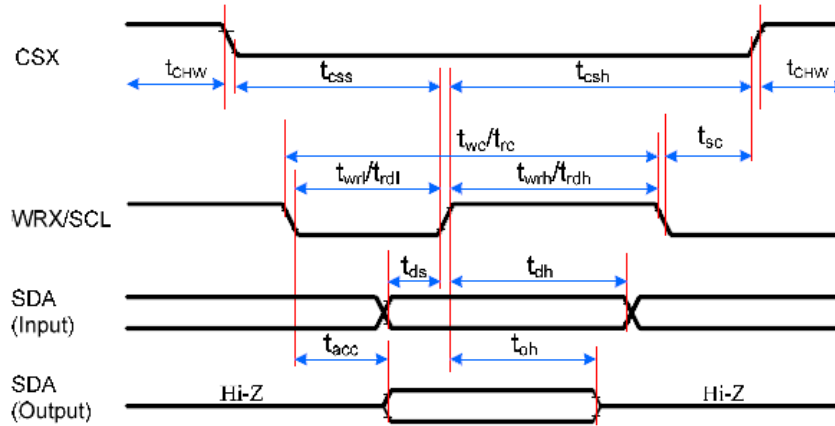
4. The CSX timing:



5. The Write to Read or the Read to Write timing:

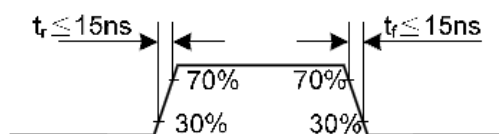


3.4.2 Display Serial Interface Timing Characteristics (3-line SPI system)

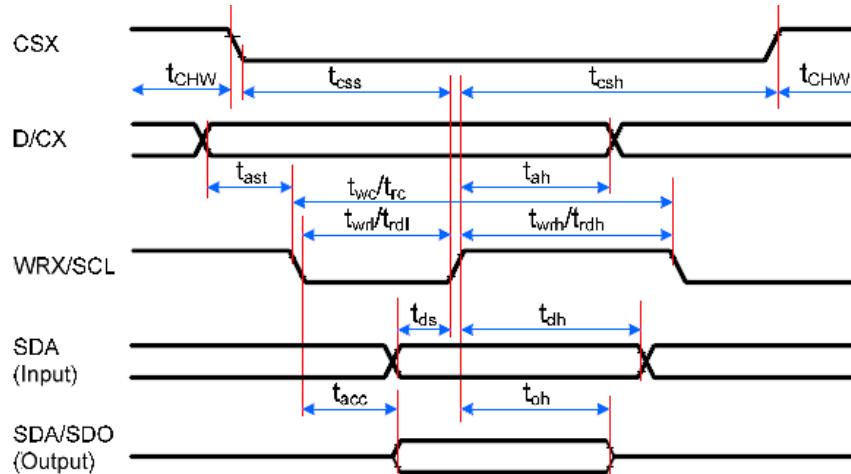


Signal	Symbol	Parameter	min	max	Unit	Description
CSX	tsc	SCL-CSX	15	-	ns	
	tchwh	CSX H Pulse Width	40	-	ns	
	tcsw	Chip select time (Write)	60	-	ns	
	tcsh	Chip select hold time (Read)	65	-	ns	
SCL	twc	Serial Clock Cycle (Write)	66	-	ns	
	twrh	SCL H Pulse Width (Write)	15	-	ns	
	twrl	SCL L Pulse Width (Write)	15	-	ns	
	trc	Serial Clock Cycle (Read)	150	-	ns	
	trdh	SCL H Pulse Width (Read)	60	-	ns	
	trdl	SCL L Pulse Width (Read)	60	-	ns	
SDA (Input)	tds	Data setup time (Write)	10	-	ns	
	tdh	Data hold time (Write)	10	-	ns	
SDA/SDO (Output)	tacc	Access time (Read)	10	50	ns	For maximum CL=30pF
	toh	Output disable time (Read)	15	50	ns	For minimum CL=8pF

Note: Ta = -30 to 70 °C, IOVCC = 1.65V to 3.6V, VCI = 2.5V to 3.6V, AGND = DGND = 0V, T = 10+/-0.5ns



3.4.3 Display Serial Interface Timing Characteristics (4-line SPI system)

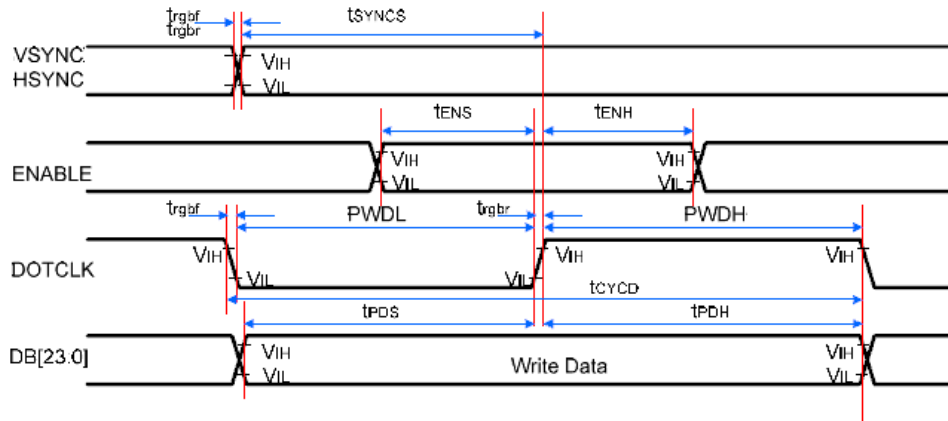


Signal	Symbol	Parameter	min	max	Unit	Description
CSX	t_{css}	Chip select time (Write)	15	-	ns	
	t_{csh}	Chip select hold time (Read)	15	-	ns	
	t_{CHW}	CS H pulse width	40	-	ns	
SCL	t_{wc}	Serial clock cycle (Write)	50	-	ns	
	t_{wrh}	SCL H pulse width (Write)	10	-	ns	
	t_{wrl}	SCL L pulse width (Write)	10	-	ns	
	t_{rc}	Serial clock cycle (Read)	150	-	ns	
	t_{rdh}	SCL H pulse width (Read)	60	-	ns	
	t_{rdl}	SCL L pulse width (Read)	60	-	ns	
D/CX	t_{as}	D/CX setup time	10	-	ns	
	t_{ah}	D/CX hold time (Write/Read)	10	-	ns	
SDA (Input)	t_{ds}	Data setup time (Write)	10	-	ns	
	t_{dh}	Data hold time (Write)	10	-	ns	
SDA/SDO (Output)	t_{acc}	Access time (Read)	10	50	ns	For maximum $C_L=30pF$
	t_{od}	Output disable time (Read)	15	50	ns	For minimum $C_L=8pF$

Notes:

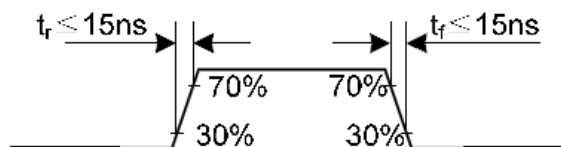
1. $T_a = -30$ to 70 °C, $IOVCC = 1.65V$ to $3.3V$, $VCI = 2.5V$ to $3.3V$, $AGND = DGND = 0V$, $T = 10 \pm 0.5ns$.
2. Does not include signal rising and falling times.

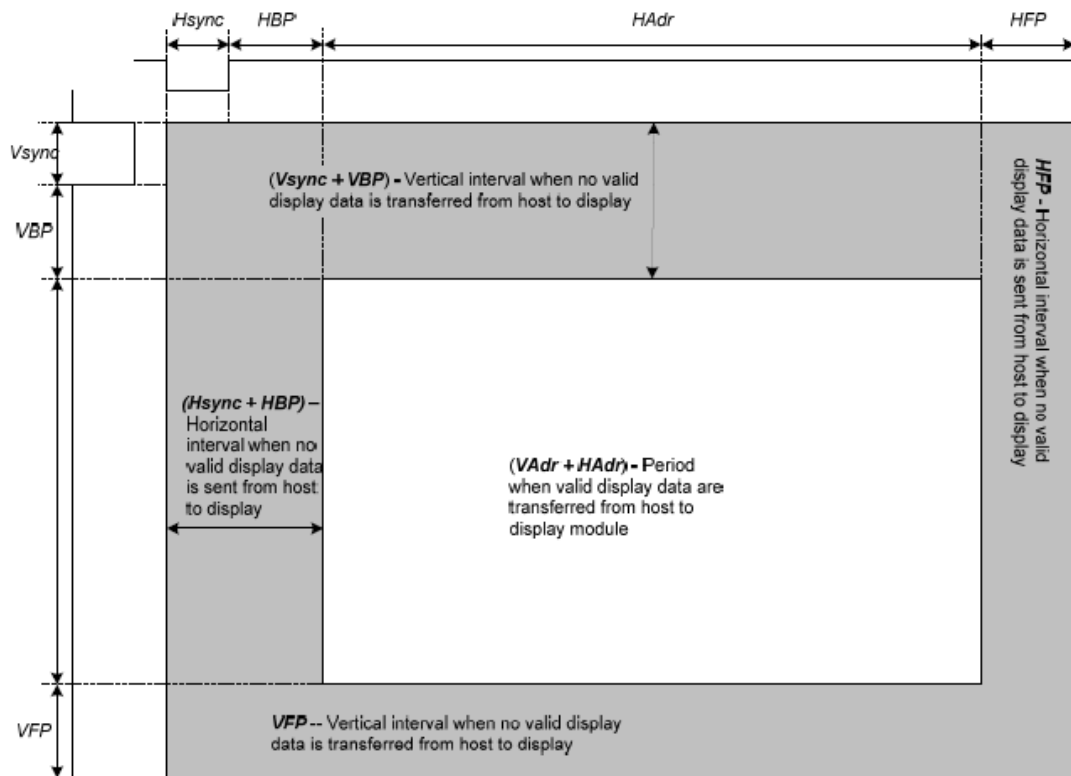
3.4.4 Parallel RGB Interface Timing Characteristics



Signal	Symbol	Parameter	min	max	Unit	Description
VSYNC/ HSYNC	t_{SYNCS}	VSYNC/HSYNC setup time	15	-	ns	16-/18-/24-bit bus RGB interface mode
	t_{SYNCH}	VSYNC/HSYNC hold time	15	-	ns	
ENABLE	t_{ENS}	ENABLE setup time	15	-	ns	
	t_{ENH}	ENABLE hold time	15	-	ns	
DB [23:0]	t_{POS}	Data setup time	15	-	ns	
	t_{PDH}	Data hold time	15	-	ns	
DOTCLK	PWDH	DOTCLK high-level period	20	-	ns	
	PWDL	DOTCLK low-level period	20	-	ns	
	t_{CYCD}	DOTCLK cycle time	50	-	ns	
	$t_{rgb\ f}, t_{gr\ b}$	DOTCLK, HSYNC, VSYNC rise/fall time	-	15	ns	

Note: $T_a = -30$ to 70 °C, $IOVCC = 1.65V$ to $3.3V$, $VCI = 2.5V$ to $3.3V$, $AGND = DGND = 0V$



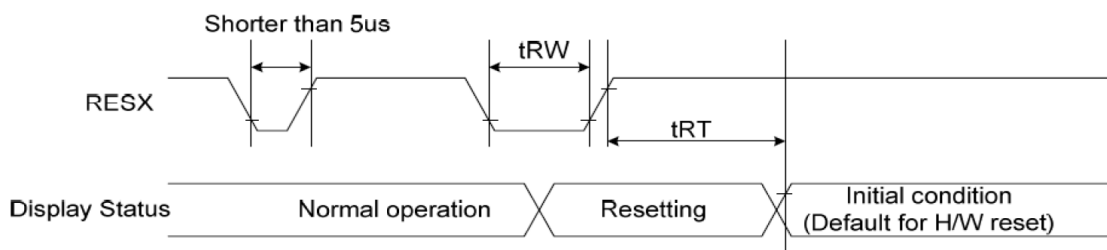


Parameters	Symbols	Min.	Typ.	Max.	Units
PCLK Cycle	PCLK _{CYC}	100	80	66.6	ns
Horizontal Synchronization	Hsync	3	3	-	PCLK
Horizontal Back Porch	HBP	3	3	-	PCLK
Horizontal Address	HAdr	-	320	-	PCLK
Horizontal Front Porch	HFP	3	3	-	PCLK
Vertical Synchronization	Vsync	2	2	-	Line
Vertical Back Porch	VBP	2	2	-	Line
Vertical Address	VAdr	-	480	-	Line
Vertical Front Porch	VFP	2	2	-	Line
Vertical Frequency(*)		50	60	80	Hz
Horizontal Frequency(*)		-	33	-	KHz
PCLK Frequency(*)		10	12.5	15	MHz

Notes:

1. Vertical period (one frame) shall be equal to the sum of Vsync + VBP + VAdr + VFP.
2. Horizontal period (one line) shall be equal to the sum of Hsync + HBP + HAdr + HFP.
3. Control signals PCLK and Hsync shall be transmitted as specified at all times while valid pixels are transferred between the host processor and the display module.

3.4.5 Reset Timing Characteristics



Signal	Symbol	Parameter	Min	Max	Unit
RESX	tRW	Reset pulse duration	10		uS
	tRT	Reset cancel		5 (note 1,5)	mS
				120 (note 1,6,7)	mS

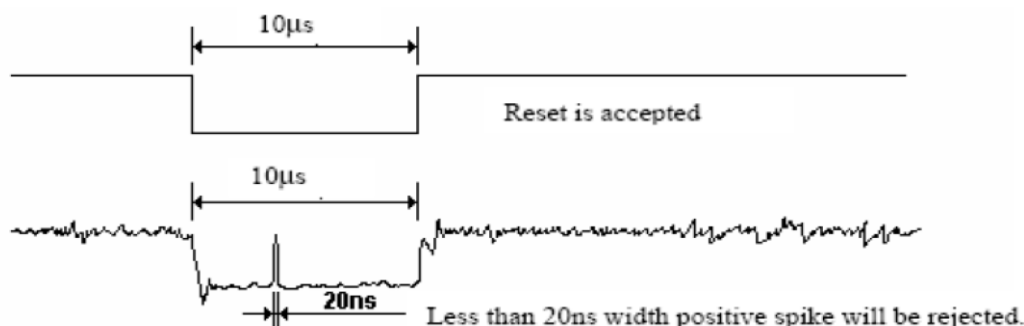
Note 1: The reset cancel includes also required time for loading ID bytes. VCOM setting and other settings from EEPROM to registers. This loading is done every time when there is HW reset cancel time (tRT) within 5 ms after rising edge of RESX.

Note 2: Spike due to an electrostatic discharge on RESX line dose not because irregular system reset according to the table below:

RESX Pulse	Action
Shorter than 5us	Reset Rejected
Longer than 9us	Reset
Between 5us and 9us	Reset starts

Note 3: During the resetting period, the display will be blanked (The display is entering blanking sequence, which maximum time is 120ms, when reset starts in Sleep Out-mode. The display remains the blank state in Sleep In-mode.) and then return to default condition for Hardware Reset.

Note 4: Spike rejection also applies during a valid reset pulse as shown below:



Note 5: When reset applied during Sleep in Mode.

Note 6: When reset applied during Sleep out Mode.

Note 7: It is necessary to wait 5msec after releasing RESX before sending commands. Also Sleep Out command cannot be sent for 120msec.

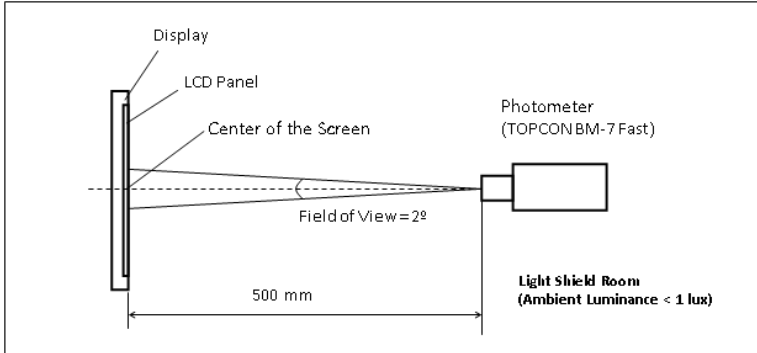
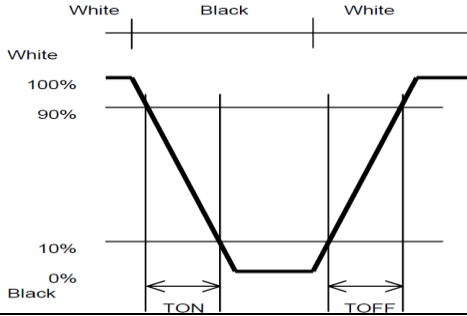
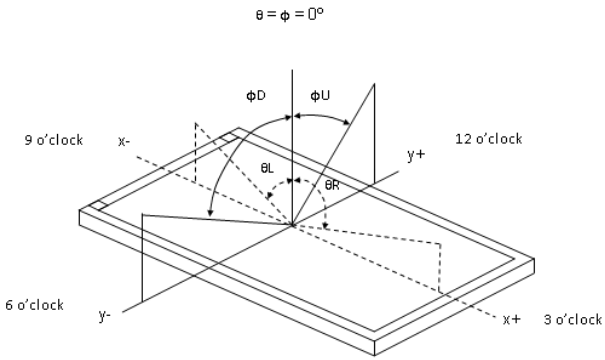
4 OPTICAL SPECIFICATION

4.1 OPTICAL CHARACTERISTICS

Measuring instruments: LCD-5100, Eldim, Topcon BM-7
 Driving condition: VCI = 3.3V, VSS = 0V
 Backlight: IF=160mA
 Measured temperature: Ta = 25 °C

Item	Symbol	Condition	MIN	TYP	MAX	Unit	Note
Response Time	TR+TF	$\theta=\phi=0^\circ$ Normal Viewing Angle	-	35	50	ms	2
Contrast Ratio	CR		-	500	-		3
Viewing Angle	Left	CR \geq 10	-	80	-	deg	4
	Right		-	80	-	deg	
	Up		-	80	-	deg	
	Down		-	80	-	deg	
Colour Chromaticity	Red	Rx	-	0.631	0.633	-	5
		Ry	-	0.334	0.335	-	
	Green	Gx	-	0.316	0.318	-	
		Gy	-	0.602	0.605	-	
	Blue	Bx	-	0.151	0.152	-	
		By	-	0.047	0.049	-	
	White	Wx	-	0.301	0.303	-	
		Wy	-	0.335	0.337	-	
Centre Brightness			-	600	-	cd/m ²	6
Brightness Distribution			80	-	-	%	7

4.1.1 Test Method

Note	Item	Test method
1	Setup	<p>The display should be stabilised at a given temperature for 30 minutes to avoid abrupt temperature change during measuring. In order to stabilise the luminance, measurements should be executed after lighting the backlight for 30 minutes in a windless room.</p> 
2	Response time	<p>Measure output signal waveform by the luminance meter when raster of window pattern is changed from white to black and from black to white.</p> 
3	Contrast ratio	<p>Measure maximum brightness and minimum brightness at the centre of the screen by displaying raster or window pattern. Then calculate the ratio between these two values.</p> $\text{Contrast Ratio (CR)} = \frac{\text{Brightness of unselected position (white)}}{\text{Brightness of selected position (black)}}$
4	Viewing angle Horizontal θ Vertical ϕ	<p>Move the luminance meter from right to left and up and down and determine the angles where contrast ratio is 10</p> 
5	Colour chromaticity	Measure chromaticity coordinates x and y of CIE1931 colorimetric system
6	Centre brightness	Measure the brightness at the centre of the screen
7	Brightness distribution	<p>(Brightness distribution) = $100 \times B/A \%$ A: max. brightness of the 9 points B: min. brightness of the 9 points</p>

5 BACKLIGHT SPECIFICATION

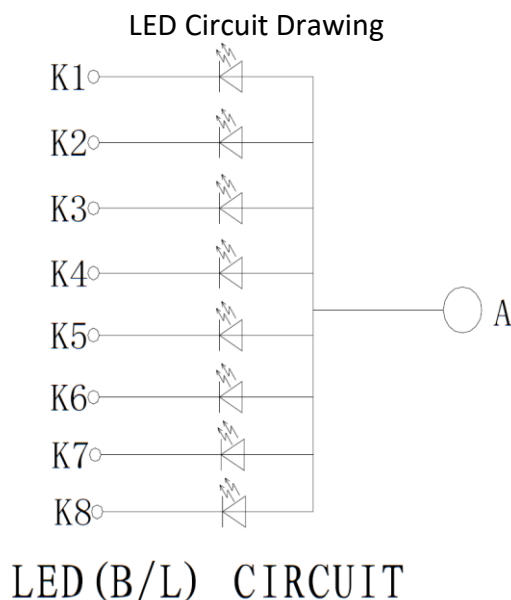
5.1 LED DRIVING CONDITIONS

Item	Symbol	Condition	Min	Typ	Max	Unit
Forward Current	IF	Ta=25 °C, VF=3.2V/LED	150	160	-	mA
Forward Voltage	VF	Ta= 25°C, IF= 20mA/LED		3.2		V
LED life time	Hr			50k		hour

Note:

- The lifetime of the LED is defined as a period till the brightness of the LED decreases to the half of its initial value.
- This figure is given as a reference purpose only, and not a guarantee.
- This figure is estimated for an LED operating alone.
The performance of an LED may differ when assembled as a monitor together with a TFT panel due to different environmental temperature.
- Estimated lifetime could vary on a different temperature and usually higher temperature could reduce the life significantly.

5.2 LED CIRCUIT

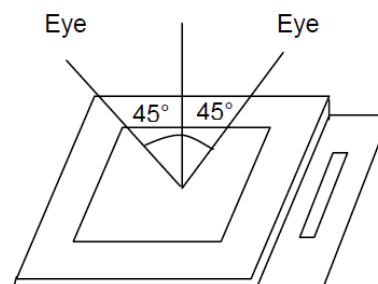


6 QUALITY ASSURANCE SPECIFICATION

6.1 DELIVERY INSPECTION STANDARDS

6.1.1 Inspection Conditions

Inspection distance: 30 cm \pm 2 cm
Viewing angle: $\pm 45^\circ$



6.1.2 Environmental Conditions

Ambient temperature: 25°C \pm 5°C
Ambient humidity: 65 \pm 10% RH
Ambient illumination: 300~700 lux

6.1.3 Sampling Conditions

1. Lot size: quantity of shipment lot per model
2. Sampling method:

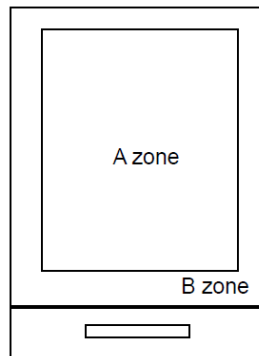
Sampling Plan		GB/T 2828-2003
		Normal inspection, Class II
AQL	Major Defect	0.65%
	Minor Defect	1.5%

No	Items to be inspected	Criteria	Classification of defects
1	Functional defects	1) No display, Open or miss line 2) Display abnormally, Short 3) Backlight no lighting, abnormal lighting. 4) TP no function	Major
2	Missing	Missing component	
3	Outline dimension	Overall outline dimension beyond the drawing is not allowed	
4	Color tone	Color unevenness, refer to limited sample	Minor
5	Soldering appearance	Good soldering , Peeling off is not allowed.	
6	LCD/Polarizer/TP	Black/White spot/line, scratch, crack, etc.	

6.1.4 Definition of Area

A zone: active area

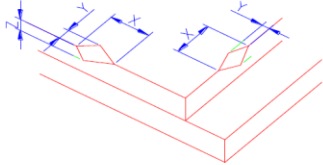
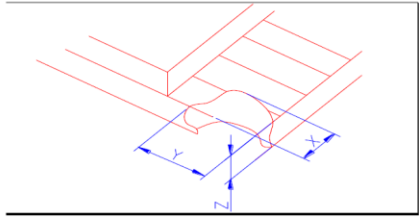
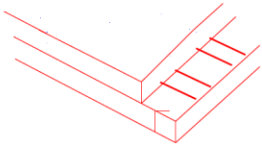
B zone: viewing area

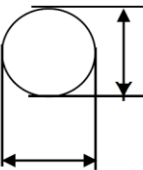


6.1.5 Basic Principle

A set of sample to indicate the limit of acceptable quality level shall be discussed should a dispute occur.

6.1.6 Inspection Criteria

Number	Items	Criteria(mm)						
1.0 LCD Crack/Broken NOTE: X: Length Y: Width Z: Height L: Length of ITO, T: Height of LCD	(1) The edge of LCD broken	 <table border="1" data-bbox="850 651 1334 779"> <thead> <tr> <th>X</th> <th>Y</th> <th>Z</th> </tr> </thead> <tbody> <tr> <td>≤3.0mm</td> <td><Inner border line of the seal</td> <td>≤T</td> </tr> </tbody> </table>	X	Y	Z	≤3.0mm	<Inner border line of the seal	≤T
	X	Y	Z					
	≤3.0mm	<Inner border line of the seal	≤T					
(2)LCD corner broken	 <table border="1" data-bbox="903 1061 1278 1144"> <thead> <tr> <th>X</th> <th>Y</th> <th>Z</th> </tr> </thead> <tbody> <tr> <td>≤3.0mm</td> <td>≤L</td> <td>≤T</td> </tr> </tbody> </table>	X	Y	Z	≤3.0mm	≤L	≤T	
X	Y	Z						
≤3.0mm	≤L	≤T						
(3) LCD crack	 <p style="text-align: center;">Crack Not allowed</p>							

Number	Items	Criteria (mm)																												
2.0	Spot defect  $\Phi = (X+Y)/2$	① light dot (LCD/TP/Polarizer black/white spot , light dot, pinhole, dent, stain)																												
		<table border="1"> <thead> <tr> <th rowspan="2">Zone Size (mm)</th> <th colspan="3">Acceptable Qty</th> </tr> <tr> <th>A</th> <th>B</th> <th>C</th> </tr> </thead> <tbody> <tr> <td>$\Phi \leq 0.10$</td> <td colspan="3">Ignore</td> </tr> <tr> <td>$0.10 < \Phi \leq 0.20$</td> <td colspan="3">3(distance $\geq 10\text{mm}$)</td> </tr> <tr> <td>$0.20 < \Phi \leq 0.25$</td> <td colspan="3">2</td> </tr> <tr> <td>$\Phi > 0.25$</td> <td colspan="3">0</td> </tr> </tbody> </table>	Zone Size (mm)	Acceptable Qty			A	B	C	$\Phi \leq 0.10$	Ignore			$0.10 < \Phi \leq 0.20$	3(distance $\geq 10\text{mm}$)			$0.20 < \Phi \leq 0.25$	2			$\Phi > 0.25$	0							
		Zone Size (mm)		Acceptable Qty																										
			A	B	C																									
$\Phi \leq 0.10$	Ignore																													
$0.10 < \Phi \leq 0.20$	3(distance $\geq 10\text{mm}$)																													
$0.20 < \Phi \leq 0.25$	2																													
$\Phi > 0.25$	0																													
② Dim spot (LCD/TP/Polarizer dim dot, light leakage, dark spot)																														
<table border="1"> <thead> <tr> <th rowspan="2">Zone Size (mm)</th> <th colspan="3">Acceptable Qty</th> </tr> <tr> <th>A</th> <th>B</th> <th>C</th> </tr> </thead> <tbody> <tr> <td>$\Phi \leq 0.1$</td> <td colspan="3">Ignore</td> </tr> <tr> <td>$0.10 < \Phi \leq 0.20$</td> <td colspan="3">3(distance $\geq 10\text{mm}$)</td> </tr> <tr> <td>$0.20 < \Phi \leq 0.30$</td> <td colspan="3">2</td> </tr> <tr> <td>$\Phi > 0.30$</td> <td colspan="3">0</td> </tr> </tbody> </table>	Zone Size (mm)	Acceptable Qty			A	B	C	$\Phi \leq 0.1$	Ignore			$0.10 < \Phi \leq 0.20$	3(distance $\geq 10\text{mm}$)			$0.20 < \Phi \leq 0.30$	2			$\Phi > 0.30$	0									
Zone Size (mm)		Acceptable Qty																												
	A	B	C																											
$\Phi \leq 0.1$	Ignore																													
$0.10 < \Phi \leq 0.20$	3(distance $\geq 10\text{mm}$)																													
$0.20 < \Phi \leq 0.30$	2																													
$\Phi > 0.30$	0																													
③ Polarizer accidented spot																														
<table border="1"> <thead> <tr> <th rowspan="2">Zone Size (mm)</th> <th colspan="3">Acceptable Qty</th> </tr> <tr> <th>A</th> <th>B</th> <th>C</th> </tr> </thead> <tbody> <tr> <td>$\Phi \leq 0.2$</td> <td colspan="3">Ignore</td> </tr> <tr> <td>$0.3 < \Phi \leq 0.5$</td> <td colspan="3">2(distance $\geq 10\text{mm}$)</td> </tr> <tr> <td>$\Phi > 0.5$</td> <td colspan="3">0</td> </tr> </tbody> </table>	Zone Size (mm)	Acceptable Qty			A	B	C	$\Phi \leq 0.2$	Ignore			$0.3 < \Phi \leq 0.5$	2(distance $\geq 10\text{mm}$)			$\Phi > 0.5$	0													
Zone Size (mm)		Acceptable Qty																												
	A	B	C																											
$\Phi \leq 0.2$	Ignore																													
$0.3 < \Phi \leq 0.5$	2(distance $\geq 10\text{mm}$)																													
$\Phi > 0.5$	0																													
	Line defect (LCD/TP /Polarizer black/white line, scratch, stain)	<table border="1"> <thead> <tr> <th rowspan="2">Width(mm)</th> <th rowspan="2">Length(mm)</th> <th colspan="3">Acceptable Qty</th> </tr> <tr> <th>A</th> <th>B</th> <th>C</th> </tr> </thead> <tbody> <tr> <td>$\Phi \leq 0.03$</td> <td>Ignoe</td> <td colspan="3">Ignore</td> </tr> <tr> <td>$0.03 < W \leq 0.05$</td> <td>$L \leq 3.0$</td> <td colspan="3">$N \leq 2$</td> </tr> <tr> <td>$0.05 < W \leq 0.08$</td> <td>$L \leq 2.0$</td> <td colspan="3">$N \leq 2$</td> </tr> <tr> <td>$0.08 < W$</td> <td colspan="4">Define as spot defect</td> </tr> </tbody> </table>	Width(mm)	Length(mm)	Acceptable Qty			A	B	C	$\Phi \leq 0.03$	Ignoe	Ignore			$0.03 < W \leq 0.05$	$L \leq 3.0$	$N \leq 2$			$0.05 < W \leq 0.08$	$L \leq 2.0$	$N \leq 2$			$0.08 < W$	Define as spot defect			
Width(mm)	Length(mm)	Acceptable Qty																												
		A	B	C																										
$\Phi \leq 0.03$	Ignoe	Ignore																												
$0.03 < W \leq 0.05$	$L \leq 3.0$	$N \leq 2$																												
$0.05 < W \leq 0.08$	$L \leq 2.0$	$N \leq 2$																												
$0.08 < W$	Define as spot defect																													

3.0	Polarizer Bubble	<table border="1"> <thead> <tr> <th rowspan="2">Zone Size (mm)</th> <th colspan="3">Acceptable Qty</th> </tr> <tr> <th>A</th> <th>B</th> <th>C</th> </tr> </thead> <tbody> <tr> <td>$\Phi \leq 0.2$</td> <td colspan="2">Ignore</td> <td rowspan="4">Ignore</td> </tr> <tr> <td>$0.2 < \Phi \leq 0.4$</td> <td colspan="2">3(distance ≥ 10 m)</td> </tr> <tr> <td>$0.4 < \Phi \leq 0.6$</td> <td colspan="2">2</td> </tr> <tr> <td>$0.6 < \Phi$</td> <td colspan="2">0</td> </tr> </tbody> </table>			Zone Size (mm)	Acceptable Qty			A	B	C	$\Phi \leq 0.2$	Ignore		Ignore	$0.2 < \Phi \leq 0.4$	3(distance ≥ 10 m)		$0.4 < \Phi \leq 0.6$	2		$0.6 < \Phi$	0	
		Zone Size (mm)	Acceptable Qty																					
			A	B	C																			
		$\Phi \leq 0.2$	Ignore		Ignore																			
		$0.2 < \Phi \leq 0.4$	3(distance ≥ 10 m)																					
$0.4 < \Phi \leq 0.6$	2																							
$0.6 < \Phi$	0																							
4.0	SMT	According to IPC-A-610C class II standard . Function defect and missing part are major defect ,the others are minor defect.																						

		TP bubble/ accidented spot	<table border="1"> <thead> <tr> <th rowspan="2">Size Φ(mm)</th> <th colspan="3">Acceptable Qty</th> </tr> <tr> <th>A</th> <th>B</th> <th>C</th> </tr> </thead> <tbody> <tr> <td>$\Phi \leq 0.1$</td> <td colspan="2">Ignore</td> <td rowspan="4">Ignore</td> </tr> <tr> <td>$0.1 < \Phi \leq 0.25$</td> <td colspan="2"></td> </tr> <tr> <td>$0.25 < \Phi \leq 0.3$</td> <td colspan="2">2</td> </tr> <tr> <td>$0.3 < \Phi$</td> <td colspan="2">0</td> </tr> </tbody> </table>			Size Φ (mm)	Acceptable Qty			A	B	C	$\Phi \leq 0.1$	Ignore		Ignore	$0.1 < \Phi \leq 0.25$			$0.25 < \Phi \leq 0.3$	2		$0.3 < \Phi$	0	
			Size Φ (mm)	Acceptable Qty																					
A	B			C																					
$\Phi \leq 0.1$	Ignore		Ignore																						
$0.1 < \Phi \leq 0.25$																									
$0.25 < \Phi \leq 0.3$	2																								
$0.3 < \Phi$	0																								
	Assembly deflection	beyond the edge of backlight ≤ 0.15 mm																							

5.0	TP Related	Newton Ring	<p>Newton Ring area > 1/3 TP area NG</p> <p>Newton Ring area ≤ 1/3 TP area OK</p>			<p>1 规律性</p> <p>2 非规律性</p> <p>似牛顿环</p>					
			TP corner broken	<table border="1"> <tr> <td>X</td> <td>Y</td> <td>Z</td> </tr> <tr> <td>X ≤ 3.0mm</td> <td>Y ≤ 3.0mm</td> <td>Z < LCD thickness</td> </tr> </table>	X	Y	Z	X ≤ 3.0mm	Y ≤ 3.0mm	Z < LCD thickness	
			X	Y	Z						
X ≤ 3.0mm	Y ≤ 3.0mm	Z < LCD thickness									
X : length											
Y : width	* Circuitry broken is not allowed.										
Z : height											
TP edge broken	<table border="1"> <tr> <td>X</td> <td>Y</td> <td>Z</td> </tr> <tr> <td>X ≤ 6.0mm</td> <td>Y ≤ 2.0mm</td> <td>Z < LCD thickness</td> </tr> </table>	X	Y	Z	X ≤ 6.0mm	Y ≤ 2.0mm	Z < LCD thickness				
X	Y	Z									
X ≤ 6.0mm	Y ≤ 2.0mm	Z < LCD thickness									
X : length											
Y : width	* Circuitry broken is not allowed.										
Z : height											

Number	Items	Criteria (mm)
1	No display	Not allowed
2	Missing segment	Not allowed
3	Short	Not allowed
4	Backlight no lighting	Not allowed
5	TP no function	Not allowed

6.1.7 Classification of Defects

Visual defects (except no or wrong label) are treated as minor defects, while electrical defects are treated as major defects.

Two minor defects are equal to one major defect in lot sampling inspection.

6.1.8 Identification / marking criteria

Any unit with illegible / wrong / double or no marking / label shall be rejected.

6.2 DEALING WITH CUSTOMER COMPLAINTS

6.2.1 Non-conforming analysis

Purchaser should supply Densitron with detailed data of non-conforming sample.

After accepting it, Densitron should complete the analysis in two weeks from receiving the sample.

If the analysis cannot be completed on time, Densitron must inform the purchaser.

6.2.2 Handling of non-conforming displays

If any non-conforming displays are found during customer acceptance inspection which Densitron is clearly responsible for, return them to Densitron.

Both Densitron and customer should analyse the reason and discuss the handling of non-conforming displays when the reason is not clear.

Equally, both sides should discuss and come to agreement for issues pertaining to modification of Densitron quality assurance standard.

7 RELIABILITY SPECIFICATION

7.1 RELIABILITY TESTS

Test Item		Test Condition	
Durability Test	High Temperature Storage	Ta= 80°C	96h
	Low Temperature Storage	Ta=-30°C	96h
	Temperature Cycle Storage	-20°C ↔ 70°C ON/OFF, 20 cycles. ON time over 10 seconds ,OFF time over 10 seconds	
	High Temperature Operation	Tp= 70°C	96h
	Low Temperature Operation	Tp= -20°C	96h
	High Temperature & Humidity Operation	Tp= 70°C RH= 90% 96h Non condensing	
	ESD Test	150Pf, 330Ω, ±6KV (Contact)/±8KV (Air), 5 Points/panel, 10 times/point	
	Thermal Shock Resistance	The sample should be allowed to stand the following 5 cycles of operation: TSTL for 30 minutes -> normal temperature for 5 minutes -> TSTH for 30 minutes -> normal temperature for 5 minutes, as one cycle, then taking it out and drying it at normal temperature, and allowing it stand for 24 hours	
	Box Drop Test	1 Corner 3 Edges 6 faces, 66 cm (Medium Box)	

Note: Ta=ambient temperature Tp= Panel temperature

Notes:

1. No dew condensation to be observed.
2. The function test shall be conducted after 4 hours storage at the normal temperature and humidity after removed from the test chamber.
3. No cosmetic or functional defects should be allowed.
4. Total current consumption should be less than twice the initial value.

8 HANDLING PRECAUTIONS

Safety

If the LCD panel breaks, be careful not to get the liquid crystal fluid in your mouth or in your eyes. If the liquid crystal touches your skin or clothes, wash it off immediately using soap and plenty of water.

Mounting and Design

Place a transparent plate (e.g. acrylic, polycarbonate or glass) on the display surface to protect the display from external pressure. Leave a small gap between the transparent plate and the display surface.

When assembling with a zebra connector, clean the surface of the pads with alcohol and keep the surrounding air very clean.

Design the system so that no input signal is given unless the power supply voltage is applied.

Caution during LCD cleaning

Lightly wipe the display surface with a soft cloth soaked with Isopropyl alcohol, Ethyl alcohol or Trichlorotrifluoroethane.

Do not wipe the display surface with dry or hard materials that will damage the polariser surface.

Do not use aromatic solvents (toluene and xylene), or ketonic solvents (ketone and acetone).

Caution against static charge

As the display uses C-MOS LSI drivers, connect any unused input terminal to VDD or VSS. Do not input any signals before power is turned on. Also, ground your body, work/assembly table and assembly equipment to protect against static electricity.

Packaging

Displays use LCD elements, and must be treated as such. Avoid strong shock and drop from a height. To prevent displays from degradation, do not operate or store them exposed directly to sunshine or high temperature/humidity.

Caution during operation

It is indispensable to drive the display within the specified voltage limit since excessive voltage shortens its life. Direct current causes an electrochemical reaction with remarkable deterioration of the display quality. Give careful consideration to prevent direct current during ON/OFF timing and during operation. Response time is extremely delayed at temperatures lower than the operating temperature range while, at high temperatures, displays become dark. However, this phenomenon is reversible and does not mean a malfunction or a display that has been permanently damaged. If the display area is pushed on hard during operation, some graphics will be abnormally displayed but returns to a normal condition after turning off the display once. Even a small amount of condensation on the contact pads (terminals) can cause an electro-chemical reaction which causes missing rows and columns. Give careful attention to avoid condensation.

Storage

Store the display in a dark place where the temperature is $25^{\circ}\text{C} \pm 10^{\circ}\text{C}$ and the humidity below 50%RH. Store the display in a clean environment, free from dust, organic solvents and corrosive gases.

Do not crash, shake or jolt the display (including accessories).

Product No.	DMT035QWNXNT0-1A	REV. 1.0
-------------	------------------	----------

Page	28 / 28
------	---------